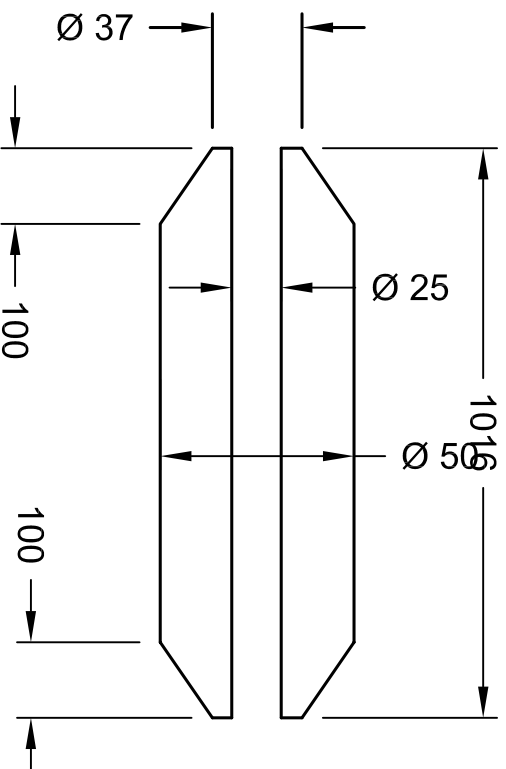


RP/ESP-9020



RP/ESP-9021

DIMENSION TOLLERANCE OF $\pm 3\%$ TO BE PERMITTED

NOTES :

- 1 ALL DIMENSIONS ARE IN MM OTHERWISE SPECIFIED
- 2 Material Fibre Reinforced Plastic
- 3 Colour as per customer's specification

RELIANCE POTTERIES

T.N.Banerjee Road, Sukchar, Kolkata-700115, India
 Website: www.reliancepotteries.com

FRP Shaft Insulator for ESP

Drawing No: RP/ESP-9020/9021

Date : 21 Nov, 2010